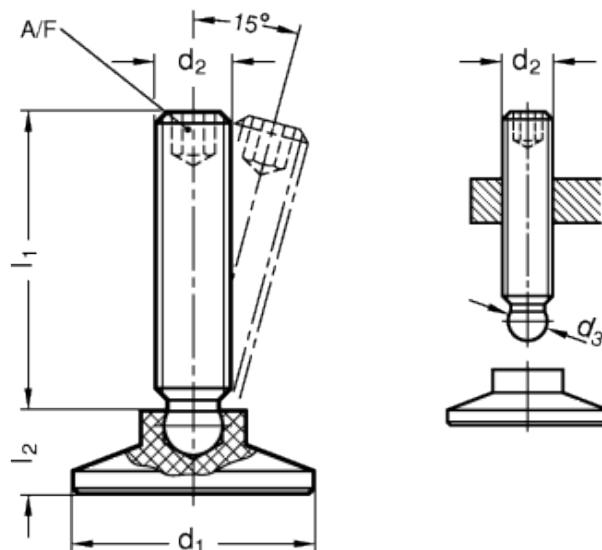


GN 638

Ball jointed levelling elements



technical informations

Thrust pads

Acetal based (POM) technopolymer, black colour, matte finish, temperature resistant up to 80° C.

Threaded stud

Version ST: black-oxide steel (tensile strength 500 N/mm²).

Features and applications

Ball jointed levelling feet GN 638 feature a smaller size ball diameter than the trunk of the threaded stud. As a result the studs can be screwed into position from the ball side. The ball end can easily be hammered in and also dismantled. Details regarding the static load capacity have been established by a series of tests but are indicative only. For these tests the loads have been placed vertically and centrally over the stud. At the measured load of 3,5 kN there was no remaining deformation visible on the thrust pad nor was there any breakage.

Standard Elements	Main dimensions			Threaded stem		Wrench	Static load in kN	Weight
Description	d ₁	l ₂	d _{3 ≈}	d ₂	l ₁	A/F		g
GN 638-15-M6-26-ST	15	7.6	4.5	M6	26	3	3.5	6
GN 638-15-M6-36-ST	15	7.6	4.5	M6	36	3	3.5	9
GN 638-15-M6-46-ST	15	7.6	4.5	M6	46	3	3.5	11
GN 638-15-M8-20-ST	15	7.6	6.1	M8	20	4	3.5	10
GN 638-15-M8-35-ST	15	7.6	6.1	M8	35	4	3.5	13
GN 638-15-M8-45-ST	15	7.6	6.1	M8	45	4	3.5	16
GN 638-15-M8-58-ST	15	7.6	6.1	M8	58	4	3.5	20
GN 638-18-M6-26-ST	18	9.2	4.5	M6	26	3	3.5	7
GN 638-18-M6-36-ST	18	9.2	4.5	M6	36	3	3.5	11
GN 638-18-M6-46-ST	18	9.2	4.5	M6	46	3	3.5	15
GN 638-18-M8-20-ST	18	9.2	6.1	M8	20	4	3.5	11
GN 638-18-M8-35-ST	18	9.2	6.1	M8	35	4	3.5	14
GN 638-18-M8-45-ST	18	9.2	6.1	M8	45	4	3.5	17
GN 638-18-M8-58-ST	18	9.2	6.1	M8	58	4	3.5	21
GN 638-18-M10-34-ST	18	9.2	7.8	M10	34	5	3.5	18
GN 638-18-M10-44-ST	18	9.2	7.8	M10	44	5	3.5	24
GN 638-18-M10-57-ST	18	9.2	7.8	M10	57	5	3.5	31
GN 638-18-M10-74-ST	18	9.2	7.8	M10	74	5	3.5	39
GN 638-21-M6-26-ST	21	10	4.5	M6	26	3	3.5	8
GN 638-21-M6-36-ST	21	10	4.5	M6	36	3	3.5	11
GN 638-21-M6-46-ST	21	10	4.5	M6	46	3	3.5	15
GN 638-21-M8-20-ST	21	10	6.1	M8	20	4	3.5	8
GN 638-21-M8-35-ST	21	10	6.1	M8	35	4	3.5	13
GN 638-21-M8-45-ST	21	10	6.1	M8	45	4	3.5	16
GN 638-21-M8-58-ST	21	10	6.1	M8	58	4	3.5	21
GN 638-21-M10-34-ST	21	10	7.8	M10	34	5	3.5	19
GN 638-21-M10-44-ST	21	10	7.8	M10	44	5	3.5	25
GN 638-21-M10-57-ST	21	10	7.8	M10	57	5	3.5	32
GN 638-21-M10-74-ST	21	10	7.8	M10	74	5	3.5	40
GN 638-21-M12-34-ST	21	10	9.4	M12	34	6	3.5	23
GN 638-21-M12-57-ST	21	10	9.4	M12	57	6	3.5	44
GN 638-21-M12-74-ST	21	10	3.4	M12	74	6	3.5	56
GN 638-21-M12-94-ST	21	10	9.4	M12	94	6	3.5	71
GN 638-25-M6-26-ST	25	10.5	4.5	M6	26	3	3.5	10
GN 638-25-M6-36-ST	25	10.5	4.5	M6	36	3	3.5	12
GN 638-25-M6-46-ST	25	10.5	4.5	M6	46	3	3.5	15
GN 638-25-M8-20-ST	25	10.5	6.1	M8	20	4	3.5	8
GN 638-25-M8-35-ST	25	10.5	6.1	M8	35	4	3.5	14
GN 638-25-M8-45-ST	25	10.5	6.1	M8	45	4	3.5	19
GN 638-25-M8-58-ST	25	10.5	6.1	M8	58	4	3.5	20
GN 638-25-M10-34-ST	25	10.5	7.8	M10	34	5	3.5	21
GN 638-25-M10-44-ST	25	10.5	7.8	M10	44	5	3.5	27

GN 638-25-M10-57-ST	25	10.5	7.8	M10	57	5	3.5	34
GN 638-25-M10-74-ST	25	10.5	7.8	M10	74	5	3.5	42
GN 638-25-M12-34-ST	25	10.5	9.4	M12	34	6	3.5	25
GN 638-25-M12-57-ST	25	10.5	9.4	M12	57	6	3.5	46
GN 638-25-M12-74-ST	25	10.5	9.4	M12	74	6	3.5	58
GN 638-25-M12-94-ST	25	10.5	9.4	M12	94	6	3.5	73
GN 638-32-M6-26-ST	32	11	4.5	M6	26	3	3.5	11
GN 638-32-M6-36-ST	32	11	4.5	M6	36	3	3.5	13
GN 638-32-M6-46-ST	32	11	4.5	M6	46	3	3.5	15
GN 638-32-M8-20-ST	32	11	6.1	M8	20	4	3.5	11
GN 638-32-M8-35-ST	32	11	6.1	M8	35	4	3.5	15
GN 638-32-M8-45-ST	32	11	6.1	M8	45	4	3.5	19
GN 638-32-M8-58-ST	32	11	6.1	M8	58	4	3.5	23
GN 638-32-M10-34-ST	32	11	7.8	M10	34	5	3.5	20
GN 638-32-M10-44-ST	32	11	7.8	M10	44	5	3.5	23
GN 638-32-M10-57-ST	32	11	7.8	M10	57	5	3.5	32
GN 638-32-M10-74-ST	32	11	7.8	M10	74	5	3.5	40
GN 638-32-M12-34-ST	32	11	9.4	M12	34	6	3.5	40
GN 638-32-M12-57-ST	32	11	9.4	M12	57	6	3.5	50
GN 638-32-M12-74-ST	32	11	9.4	M12	74	6	3.5	60
GN 638-32-M12-94-ST	32	11	9.4	M12	94	6	3.5	70
GN 638-40-M8-20-ST	40	13	6.1	M8	20	4	3.5	15
GN 638-40-M8-35-ST	40	13	6.1	M8	35	4	3.5	20
GN 638-40-M8-45-ST	40	13	6.1	M8	45	4	3.5	23
GN 638-40-M8-58-ST	40	13	6.1	M8	58	4	3.5	25
GN 638-40-M10-34-ST	40	13	7.8	M10	34	5	3.5	27
GN 638-40-M10-44-ST	40	13	7.8	M10	44	5	3.5	32
GN 638-40-M10-57-ST	40	13	7.8	M10	57	5	3.5	38
GN 638-40-M10-74-ST	40	13	7.8	M10	74	5	3.5	46
GN 638-40-M12-34-ST	40	13	9.4	M12	34	6	3.5	40
GN 638-40-M12-57-ST	40	13	9.4	M12	57	6	3.5	50
GN 638-40-M12-74-ST	40	13	9.4	M12	74	6	3.5	60
GN 638-40-M12-94-ST	40	13	9.4	M12	94	6	3.5	80



STANDARD MACHINE ELEMENTS WORLDWIDE